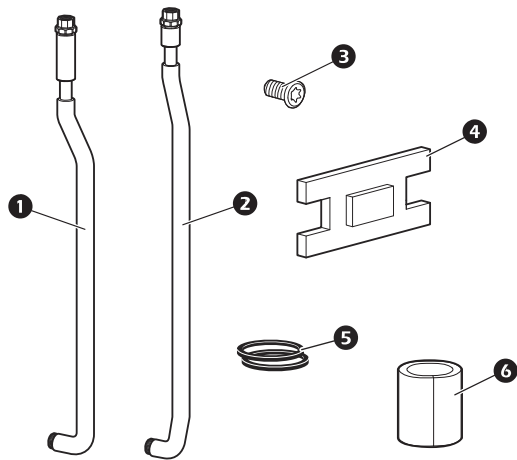


Upper Piping Kit for ACRC301S—Installation

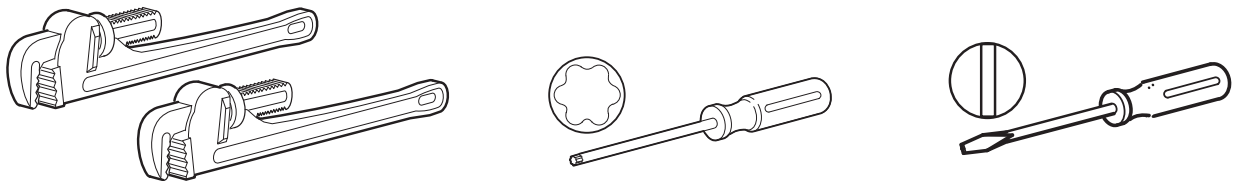
ACAC10032

Inventory



Item	Description	Quantity
1	Outlet pipe	1
2	Inlet pipe	1
3	M6 × 12 screw	4
4	Pipe clamp insulation	2
5	Gasket	4
6	Insulation	2

Tools Required



Safety

⚠️⚠️ DANGER

HAZARD OF ELECTRIC SHOCK, EXPLOSION, OR ARC FLASH

Turn off all electrical power before working on or near this equipment.

Failure to follow these instructions will result in death or serious injury.

⚠️ CAUTION

SHARP EDGES

Wear protective gloves during assembly.

Failure to follow these instructions can result in minor or moderate injury

⚠️ WARNING

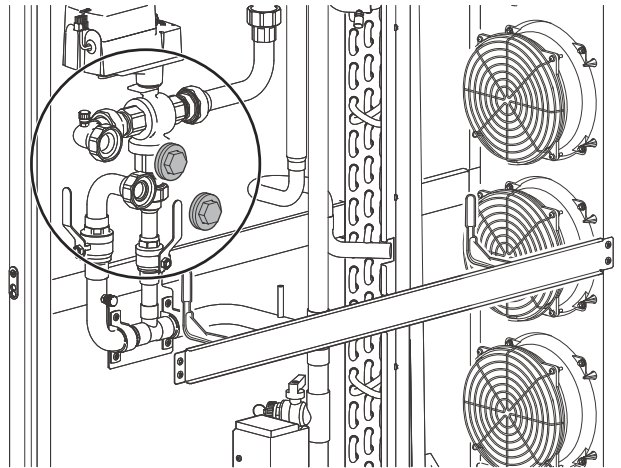
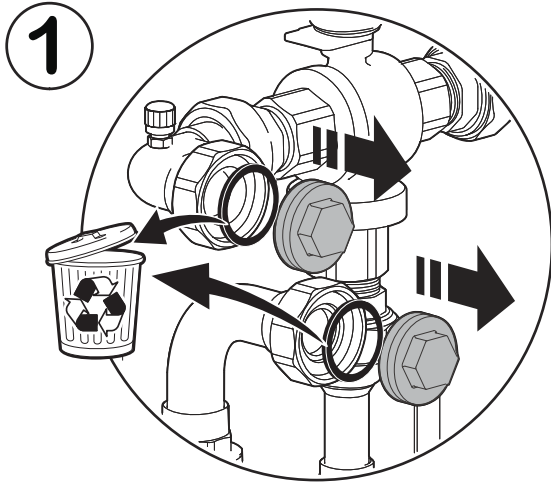
TIP HAZARD

Risk of tip hazard during assembly. Be sure to secure unit or use two people during the assembly process.

Failure to follow these instructions can result in death or serious injury.

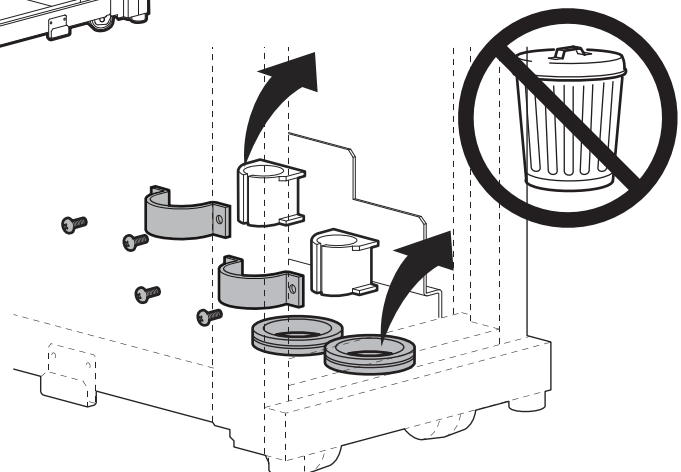
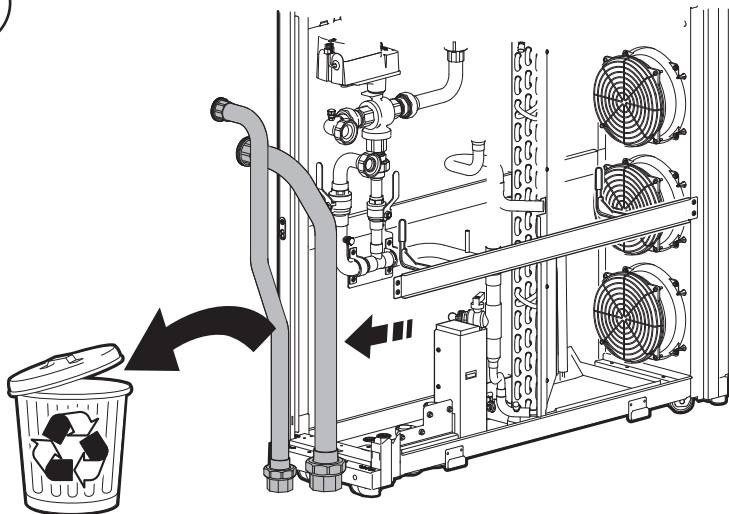
Installation

NOTE: Some parts not shown for better visibility of the installation process.

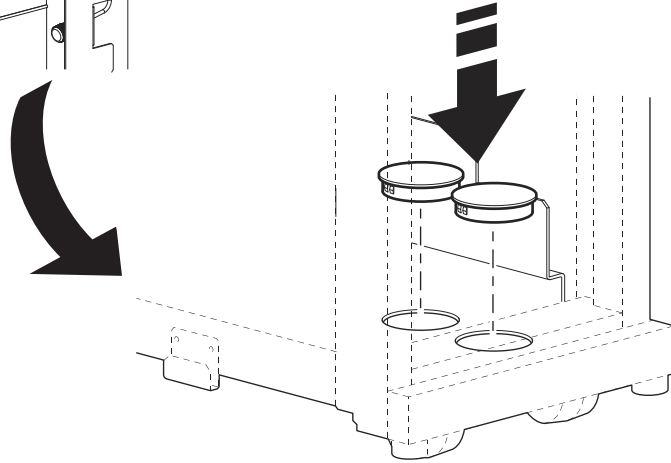
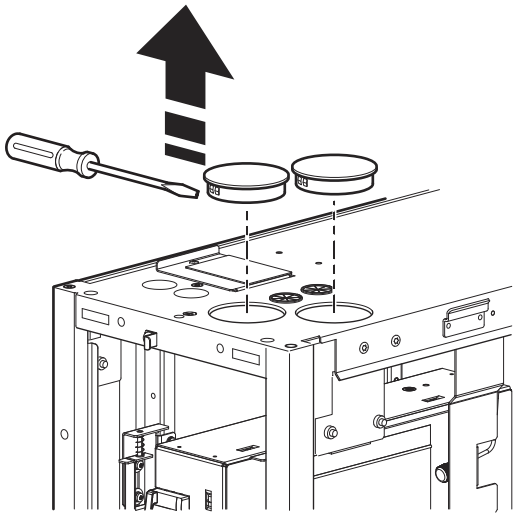


RIGHT-REAR OF UNIT

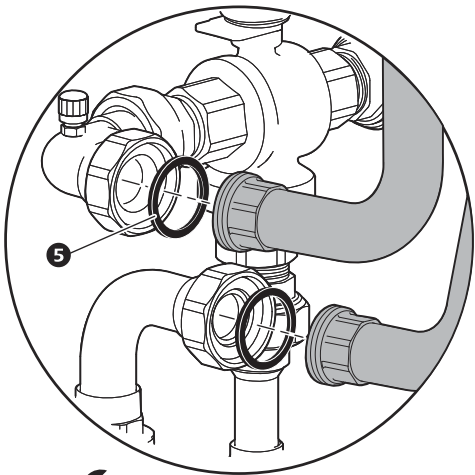
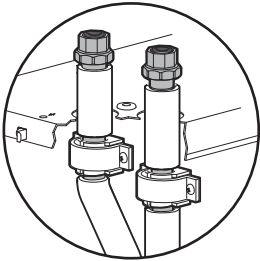
2



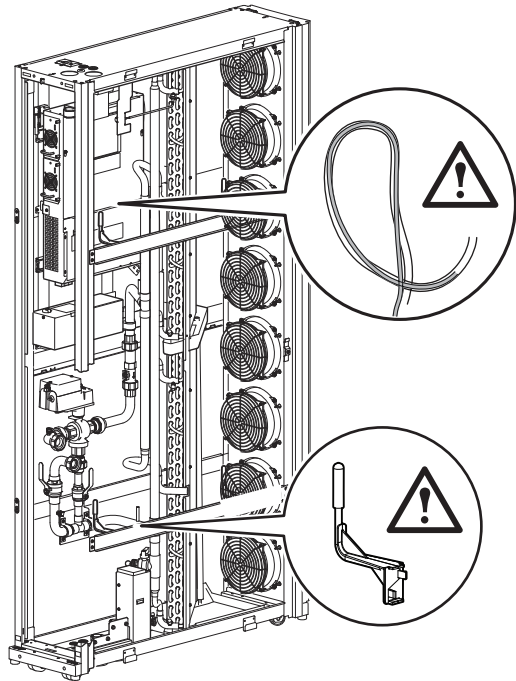
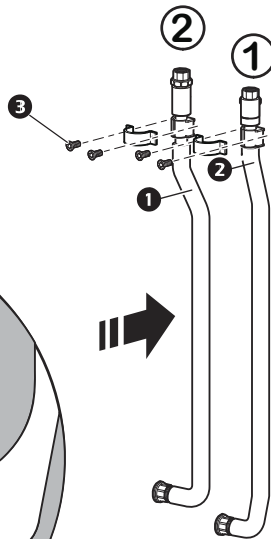
3



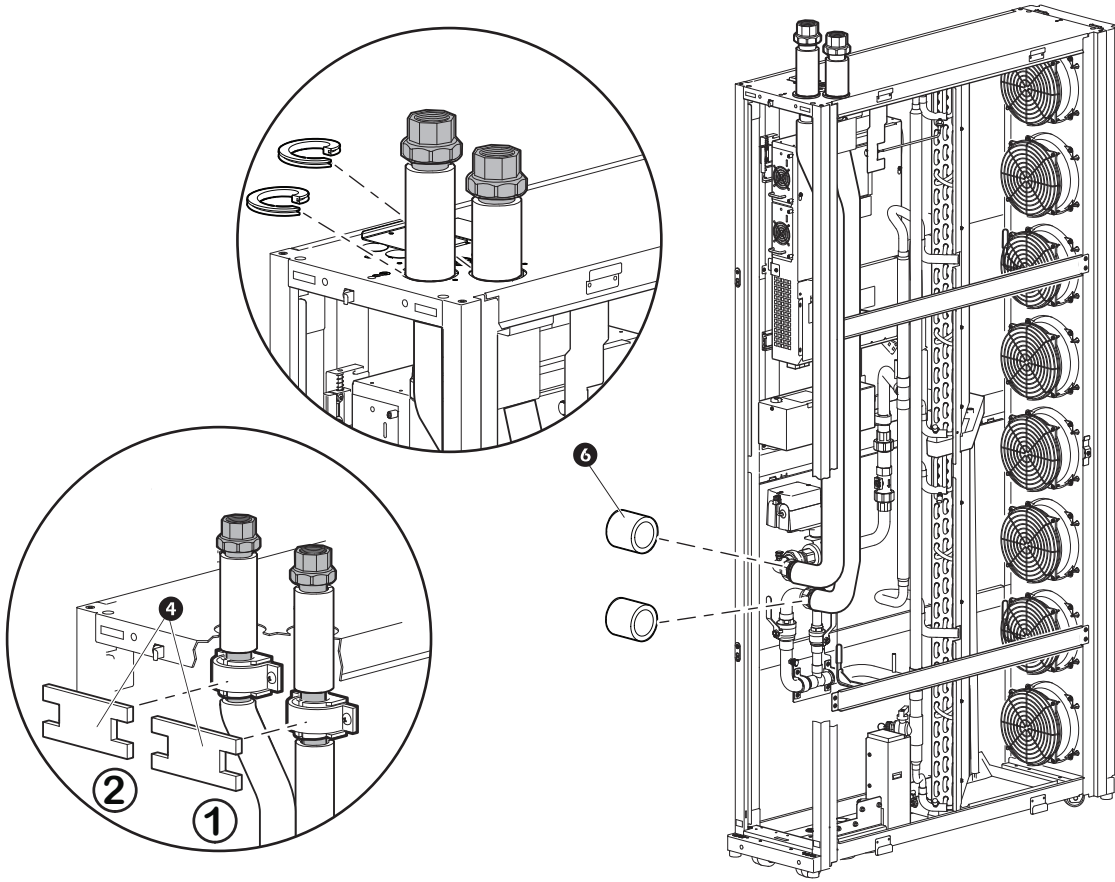
4



40 Nm (29 ft/lbs)



5



Refer to the manuals that come with your equipment for further installation instructions.

Customer support and warranty information is available at the APC Web site, www.apc.com.

© Schneider Electric, APC and the APC logo are owned by Schneider Electric Industries S.A.S., or its affiliated companies. All other trademarks are property of their respective owners.

990-5098A
1/2014