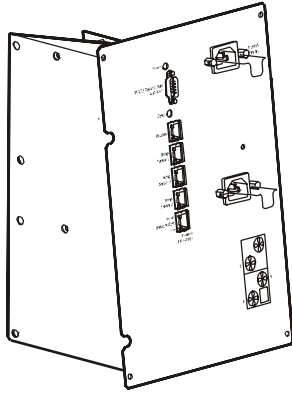
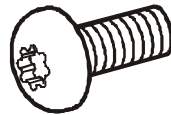


# ARU Electronics Module (W0M-7053)— Replacement Procedure

## Inventory

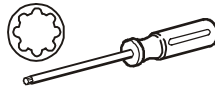


Electronics Module (1)



803-0455 M4 x 12 mm TORX  
thread-forming screws (4)

## Required tools



20-IP Torx screwdriver



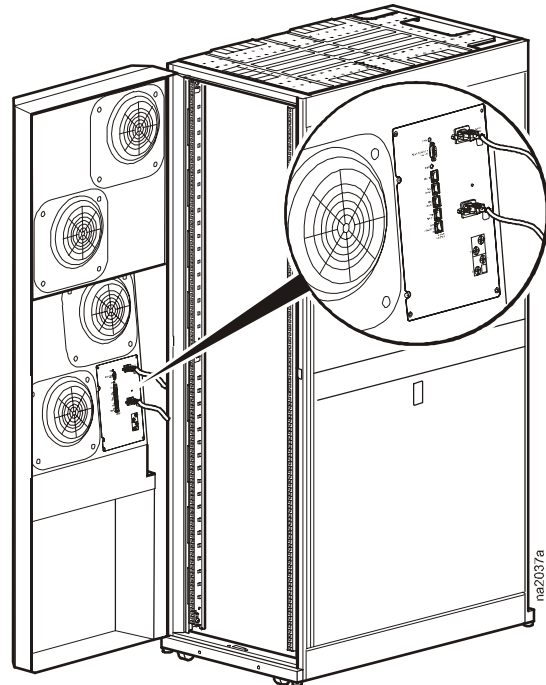
This procedure must be performed by trained APC service personnel.

## Install the electronics module



The Air Removal Unit (ARU) has multiple power sources. Ensure all power sources are disconnected before performing any maintenance.

1. Turn off ARU fans through the local display control: **Menu>Set Points>Master Control>Off**.
2. Open the ARU and unplug all power cords from the electronics module.

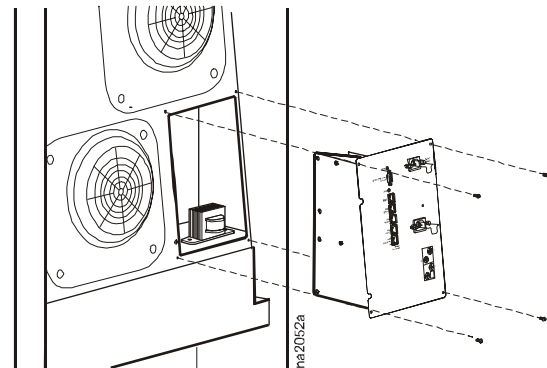


When installing thread-forming screws, take care not to cross-thread them. Do not over-tighten the screws.



The fans will still spin after power is removed. Wait for fans to come to a complete stop prior to removing the electronics module.

3. Remove four screws and save them for later use.
4. Pull the electronics module slightly away from the ARU.
5. Unplug all connectors from the electronics module.
6. Finish removing the electronics module.
7. Install the new electronics module by reversing the above steps.



To avoid potential equipment damage, ensure that no wires or harnesses are pinched or shorted before you attach the electronics module.



**Note**

Spare screws are included with this kit in case the original fasteners are lost or damaged.

8. Ensure that no loose items remain inside the ARU.



**Warning**

**Remove fasteners or any other items that may have fallen inside the ARU. Loose objects can be picked up by fans, causing damage to equipment or personal injury.**

9. Reconnect power to the electronics module panel.
10. Verify proper operation.

## APC Worldwide Customer Support

Customer support for this or any other APC product is available at no charge in any of the following ways:

- Visit the APC Web site to access documents in the APC Knowledge Base and to submit customer support requests.
  - **www.apc.com** (Corporate Headquarters)  
Connect to localized APC Web sites for specific countries, each of which provides customer support information.
  - **www.apc.com/support/**  
Global support searching APC Knowledge Base and using e-support.
- Contact an APC Customer Support center by telephone or e-mail.
  - Regional centers:

Direct InfraStruXure Customer Support Line	(1)(877)537-0607 (toll free)
APC headquarters U.S., Canada	(1)(800)800-4272 (toll free)
Latin America	(1)(401)789-5735 (USA)
Europe, Middle East, Africa	(353)(91)702000 (Ireland)
Japan	(0) 3 5434-2021
Australia, New Zealand, South Pacific area	(61) (2) 9955 9366 (Australia)

- Local, country-specific centers: go to **www.apc.com/support/contact** for contact information.

Entire contents copyright 2006 American Power Conversion Corporation. All rights reserved.  
 Reproduction in whole or in part without permission is prohibited. APC, the APC logo, and InfraStruXure are trademarks of American Power Conversion Corporation. All other trademarks, product names, and corporate names are the property of their respective owners and are used for informational purposes only.

