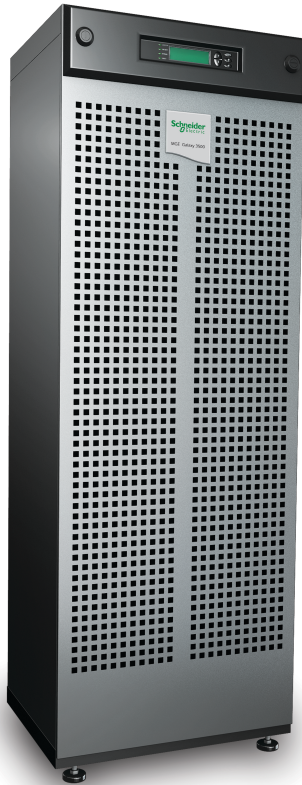


Galaxy 3500

10-40 kVA 3:3 and 3:1

Receiving and Unpacking

380/400/415 and 208/220 V
04/2016



Legal Information

The Schneider Electric brand and any registered trademarks of Schneider Electric Industries SAS referred to in this guide are the sole property of Schneider Electric SA and its subsidiaries. They may not be used for any purpose without the owner's permission, given in writing. This guide and its content are protected, within the meaning of the French intellectual property code (Code de la propriété intellectuelle français, referred to hereafter as "the Code"), under the laws of copyright covering texts, drawings and models, as well as by trademark law. You agree not to reproduce, other than for your own personal, noncommercial use as defined in the Code, all or part of this guide on any medium whatsoever without Schneider Electric's permission, given in writing. You also agree not to establish any hypertext links to this guide or its content. Schneider Electric does not grant any right or license for the personal and noncommercial use of the guide or its content, except for a non-exclusive license to consult it on an "as is" basis, at your own risk. All other rights are reserved.

Electrical equipment should be installed, operated, serviced, and maintained only by qualified personnel. No responsibility is assumed by Schneider Electric for any consequences arising out of the use of this material.

As standards, specifications, and designs change from time to time, please ask for confirmation of the information given in this publication.

Table of Contents

- Important Safety Instructions — SAVE THESE INSTRUCTIONS.....5
 - Safety Precautions6
 - Storage Conditions.....7
- Weights and Dimensions.....8
 - Weights and Dimensions 3:3 UPS 208 V.....8
 - Weights and Dimensions – UPS 400 V9
 - 3:3 UPS 400 V9
 - 3:1 UPS 400 V10
 - Modular Battery Cabinet11
 - Modular Battery12
 - Modular Battery Modules12
 - Shipping Weights and Dimensions13
 - Shipping Weights and Dimensions – UPS 208 V13
 - Shipping Weights and Dimensions – 400 V UPS14
 - Modular Battery Cabinet16
- Receiving17
- Move to Installation Site18
 - Clearance.....18
- Unpacking.....19
 - Land Packaging19
 - Sea Packaging.....23
- Stabilizing Brackets.....27
 - Attach Stabilizing Brackets.....27
 - Move the UPS (with Stabilizing Brackets Attached).....28
- Documentation Storage.....29

Important Safety Instructions — SAVE THESE INSTRUCTIONS

Read these instructions carefully and look at the equipment to become familiar with it before trying to install, operate, service or maintain it. The following safety messages may appear throughout this manual or on the equipment to warn of potential hazards or to call attention to information that clarifies or simplifies a procedure.



The addition of this symbol to a “Danger” or “Warning” safety message indicates that an electrical hazard exists which will result in personal injury if the instructions are not followed.



This is the safety alert symbol. It is used to alert you to potential personal injury hazards. Obey all safety messages with this symbol to avoid possible injury or death.

DANGER

DANGER indicates a hazardous situation which, if not avoided, **will result in death or serious injury.**

Failure to follow these instructions will result in death or serious injury.

WARNING

WARNING indicates a hazardous situation which, if not avoided, **could result in death or serious injury.**

Failure to follow these instructions can result in death, serious injury, or equipment damage.

⚠ CAUTION

CAUTION indicates a hazardous situation which, if not avoided, **could result in** minor or moderate injury.

Failure to follow these instructions can result in injury or equipment damage.

NOTICE

NOTICE is used to address practices not related to physical injury. The safety alert symbol shall not be used with this type of safety message.

Failure to follow these instructions can result in equipment damage.

Please Note

Electrical equipment should only be installed, operated, serviced, and maintained by qualified personnel. No responsibility is assumed by Schneider Electric for any consequences arising out of the use of this material.

A qualified person is one who has skills and knowledge related to the construction, installation, and operation of electrical equipment and has received safety training to recognize and avoid the hazards involved.

Safety Precautions

⚠ WARNING

HAZARD OF ELECTRIC SHOCK, EXPLOSION, OR ARC FLASH

- Do not unpack the units before the time of installation.
- Cover the units and store the units in a temperature controlled indoor environment free of conductive contaminants and humidity, where the units are protected from moisture until the time of start-up. Moisture inside the cabinet can create hazardous short circuits.

Failure to follow these instructions can result in death, serious injury, or equipment damage.





NOTICE

RISK OF EQUIPMENT DAMAGE

- Wait until the system is ready to be powered up before installing batteries in the system. The time duration from battery installation until the UPS system is powered up must not exceed 72 hours or 3 days.
- Batteries must not be stored more than six months due to the requirement of recharging. If the UPS system remains de-energized for a long period, Schneider Electric recommends that you energize the UPS system for a period of 24 hours at least once every month. This charges the batteries, thus avoiding irreversible damage.

Failure to follow these instructions can result in equipment damage.

Storage Conditions

			
Storage temperature: -15 to 40 °C (5 to 104 °F)	Relative humidity: 0-95% non-condensing	Store in a place free from vibration, conductive dust, direct sunlight, and moisture	Altitude: 0-15000 m (0-50000 ft)

Weights and Dimensions

Weights and Dimensions 3:3 UPS 208 V

UPS Cabinet 3:3	Weight kg (lbs)	Height mm (in)	Width mm (in)	Depth mm (in)
10kVA 208V with 1 Battery Module Expandable to 2 (G35T10KF1B2S)	305.05 (671.10)	1491 (58.70)	356 (14)	838 (33)
10kVA 208V with 1 Battery Module Expandable to 4 (G35T10KF1B4S)	323.18 (711)	1491 (58.70)	523 (20.60)	838 (33)
10kVA 208V with 2 Battery Modules (G35T10KF2B2S)	396.82 (873)	1491 (58.70)	356 (14)	838 (33)
10kVA 208V with 2 Battery Modules Expandable to 4 (G35T10KF2B4S)	415 (913)	1491 (58.70)	523 (20.60)	838 (33)
10kVA 208V with 3 Battery Modules Expandable to 4 (G35T10KF3B4S)	506.82 (1115)	1491 (58.70)	523 (20.60)	838 (33)
10kVA 208V with 4 Battery Modules (G35T10KF4B4S)	600 (1318)	1491 (58.70)	523 (20.60)	838 (33)
15kVA 208V with 2 Battery Modules (G35T15KF2B2S)	396.82 (873)	1491 (58.70)	356 (14)	838 (33)
15kVA 208V with 2 Battery Modules Expandable to 4 (G35T15KF2B4S)	415 (913)	1491 (58.70)	523 (20.60)	838 (33)
15kVA 208V with 3 Battery Modules Expandable to 4 (G35T15KF3B4S)	506.82 (1115)	1491 (58.70)	523 (20.60)	838 (33)
15kVA 208V with 4 Battery Modules (G35T15KF4B4S)	600 (1318)	1491 (58.70)	523 (20.60)	838 (33)
20kVA 208V with 2 Battery Modules Expandable to 4 (G35T20KF2B4S)	445 (979)	1491 (58.70)	523 (20.60)	838 (33)
20kVA 208V with 3 Battery Modules Expandable to 4 (G35T20KF3B4S)	536.82 (1181)	1491 (58.70)	523 (20.60)	838 (33)
20kVA 208V with 4 Battery Modules (G35T20KF4B4S)	629.09 (1384)	1491 (58.70)	523 (20.60)	838 (33)
30kVA 208V with 3 Battery Modules Expandable to 4 (G35T30KF3B4S)	536.82 (1181)	1491 (58.70)	523 (20.60)	838 (33)
30kVA 208V with 4 Battery Modules (G35T30KF4B4S)	629.09 (1384)	1491 (58.70)	523 (20.60)	838 (33)

Weights and Dimensions – UPS 400 V

3:3 UPS 400 V

UPS cabinet 3:3	Weight kg	Height mm	Width mm	Depth mm
10 kVA 400 V with 1 Battery Module Expandable to 2 (G35T10KH1B2S)	214	1491	352	838
10 kVA 400 V with 1 Battery Module Expandable to 4 (G35T10KH1B4S)	351	1491	523	838
10 kVA 400 V with 2 Battery Modules (G35T10KH2B2S)	306	1491	352	838
10 kVA 400 V with 2 Battery Modules Expandable to 4 (G35T10KH2B4S)	443	1491	523	838
10 kVA 400 V with 3 Battery Modules Expandable to 4 (G35T10KH3B4S)	535	1491	523	838
10 kVA 400 V with 4 Battery Modules (G35T10KH4B4S)	627	1491	523	838
10 kVA 400 V (G35T10KHS)	259	1491	523	854
15 kVA 400 V with 2 Battery Modules (G35T15KH2B2S)	402	1491	352	838
15 kVA 400 V with 2 Battery Modules Expandable to 4 (G35T15KH2B4S)	443	1491	523	838
15 kVA 400 V with 3 Battery Modules Expandable to 4 (G35T15KH3B4S)	535	1491	523	838
15 kVA 400 V with 4 Battery Modules (G35T15KH4B4S)	627	1491	523	838
15 kVA 400 V (G35T15KHS)	259	1491	523	838
20 kVA 400 V with 2 Battery Modules (G35T20KH2B2S)	402	1491	352	838
20 kVA 400 V with 2 Battery Modules Expandable to 4 (G35T20KH2B4S)	443	1491	523	838
20 kVA 400 V with 3 Battery Modules Expandable to 4 (G35T20KH3B4S)	535	1491	523	838

UPS cabinet 3:3	Weight kg	Height mm	Width mm	Depth mm
20 kVA 400 V with 4 Battery Modules (G35T20KH4B4S)	627	1491	523	838
20 kVA 400 V (G35T20KHS)	259	1491	523	838
30 kVA 400 V with 3 Battery Modules Expandable to 4 (G35T30KH3B4S)	570	1491	523	838
30 kVA 400 V with 4 Battery Modules (G35T30KH4B4S)	662	1491	523	838
30 kVA 400 V (G35T30KHS)	294	1491	523	838
40 kVA 400 V with 4 Battery Modules (G35T40KH4B4S)	662	1491	523	838
40 kVA 400 V (G35T40KHS)	294	1491	523	838

3:1 UPS 400 V

UPS cabinet 3:1	Weight kg	Height mm	Width mm	Depth mm
15 kVA 400V 3:1 with 2 Battery Modules (G35T15K3I2B2S)	402	1491	352	838
15 kVA 400V 3:1 with 2 Battery Modules Expandable to 4 (G35T15K3I2B4S)	472	1491	523	838
15 kVA 400V 3:1 with 3 Battery Modules Expandable to 4 (G35T15K3I3B4S)	564	1491	523	838
15 kVA 400V 3:1 with 4 Battery Modules (G35T15K3I4B4S)	656	1491	523	838
15 kVA 400V 3:1 (G35T15K3IS ¹)	261	1491	352	838
20 kVA 400V 3:1 with 2 Battery Modules (G35T20K3I2B2S)	402	1491	352	838
20 kVA 400V 3:1 with 2 Battery Modules	472	1491	523	838

1. UPS without batteries, for use with third party batteries (external cabinet) or longlife battery modules (internal).

UPS cabinet 3:1	Weight kg	Height mm	Width mm	Depth mm
Expandable to 4 (G35T20K3I2B4S)				
20 kVA 400V 3:1 with 3 Battery Modules Expandable to 4 (G35T20K3I3B4S)	564	1491	523	838
20 kVA 400V 3:1 with 4 Battery Modules (G35T20K3I4B4S)	656	1491	523	838
20 kVA 400V 3:1 (G35T20K3IS ²)	261	1491	352	838
30 kVA 400V 3:1 with 3 Battery Modules Expandable to 4 (G35T30K3I3B4S)	564	1491	523	838
30 kVA 400V 3:1 with 4 Battery Modules (G35T30K3I4B4S)	656	1491	523	838
30 kVA 400V 3:1 (G35T30K3IS ²)	294	1491	523	838
40 kVA 400V 3:1 with 4 Battery Modules (G35T40K3I4B4S)	656	1491	523	838
40 kVA 400V 3:1 (G35T40K3IS ²)	294	1491	523	838

Modular Battery Cabinet

Modular battery cabinet	Weight kg (lbs)	Height mm (in)	Width mm (in)	Depth mm (in)
Modular battery cabinet with 2 Bat exp to 6 (G35TXR2B6)	388 (854)	1499 (59.02)	523 (20.61)	925 (36.42)
Modular battery cabinet, with MCCB, with 2 Bat expandable to 6 (G35TBXR2B6)	388 (854)	1499 (59.02)	523 (20.61)	925 (36.42)
Modular battery cabinet with 6 battery modules (G35TXR6B6)	776 (1707.02)	1499 (59.02)	523 (20.61)	925 (36.42)

2. UPS without batteries, for use with third party batteries (external cabinet) or longlife battery modules (internal).

Modular battery cabinet	Weight kg (lbs)	Height mm (in)	Width mm (in)	Depth mm (in)
Modular battery cabinet, with MCCB, with 6 battery modules (G35TBXR6B6)	776 (1707.02)	1499 (59.02)	523 (20.61)	925 (36.42)
Modular battery cabinet, with MCCB, with 0 Bat expandable to 6 (G35TEFBXR6)	196 (431)	1499 (59.02)	523 (20.61)	925 (36.42)

Modular Battery

Modular battery (one battery)	Weight kg (lbs)
Battery module (SYBTU1)	24 (53)
High performance battery module (SYBTHU1)	24 (53)

Modular Battery Modules

Modular battery module (consisting of four batteries)	Weight kg (lbs)
Battery module (SYBT4)	96 (212)
High performance battery module (SYBTH4)	96 (212)

Shipping Weights and Dimensions

Shipping Weights and Dimensions – UPS 208 V

UPS Cabinet 3:3	Weight kg (lbs)	Height mm (in)	Width mm (in)	Depth mm (in)
10kVA 208V with 1 Battery Module Expandable to 2 (G35T10KF1B2S)	335.92 (739)	1643 (64.7)	650 (25.6)	1062 (41.8)
10kVA 208V with 1 Battery Module Expandable to 4 (G35T10KF1B4S)	354.1 (779)	1643 (64.7)	650 (25.6)	1062 (41.8)
10kVA 208V with 2 Battery Modules (G35T10KF2B2S)	427.74 (941)	1643 (64.7)	650 (25.6)	1062 (41.8)
10kVA 208V with 2 Battery Modules Expandable to 4 (G35T10KF2B4S)	445.92 (981)	1643 (64.7)	650 (25.6)	1062 (41.8)
10kVA 208V with 3 Battery Modules Expandable to 4 (G35T10KF3B4S)	537.73 (1183)	1643 (64.7)	650 (25.6)	1062 (41.8)
10kVA 208V with 4 Battery Modules (G35T10KF4B4S)	630 (1386)	1643 (64.7)	650 (25.6)	1062 (41.8)
15kVA 208V with 2 Battery Modules (G35T15KF2B2S)	428.18 (942)	1643 (64.7)	650 (25.6)	1062 (41.8)
15kVA 208V with 2 Battery Modules Expandable to 4 (G35T15KF2B4S)	445.91 (981)	1643 (64.7)	650 (25.6)	1062 (41.8)
15kVA 208V with 3 Battery Modules Expandable to 4 (G35T15KF3B4S)	537.73 (1183)	1643 (64.7)	650 (25.6)	1062 (41.8)
15kVA 208V with 4 Battery Modules (G35T15KF4B4S)	630 (1386)	1643 (64.7)	650 (25.6)	1062 (41.8)
20kVA 208V with 2 Battery Modules Expandable to 4 (G35T20KF2B4S)	475.91 (1047)	1643 (64.7)	650 (25.6)	1062 (41.8)
20kVA 208V with 3 Battery Modules Expandable to 4 (G35T20KF3B4S)	567.73 (1249)	1643 (64.7)	650 (25.6)	1062 (41.8)
20kVA 208V with 4 Battery Modules (G35T20KF4B4S)	660 (1452)	1643 (64.7)	650 (25.6)	1062 (41.8)
30kVA 208V with 3 Battery Modules Expandable to 4 (G35T30KF3B4S)	568.18 (1250)	1643 (64.7)	650 (25.6)	1062 (41.8)
30kVA 208V with 4 Battery Modules (G35T30KF4B4S)	660 (1452)	1643 (64.7)	650 (25.6)	1062 (41.8)

Shipping Weights and Dimensions – 400 V UPS

3:3 UPS 400 V

UPS Cabinet 3:3	Weight kg (lbs)	Height mm (in)	Width mm (in)	Depth mm (in)
10 kVA 400 V with 1 Battery Module Expandable to 2 (G35T10KH1B2S)	245 (540)	1643 (64.7)	650 (25.6)	1062 (41.8)
10 kVA 400 V with 1 Battery Module Expandable to 4 (G35T10KH1B4S)	382 (842)	1643 (64.7)	650 (25.6)	1062 (41.8)
10 kVA 400 V with 2 Battery Modules (G35T10KH2B2S)	336 (741)	1643 (64.7)	650 (25.6)	1062 (41.8)
10 kVA 400 V with 2 Battery Modules Expandable to 4 (G35T10KH2B4S)	474 (1045)	1643 (64.7)	650 (25.6)	1062 (41.8)
10 kVA 400 V with 3 Battery Modules Expandable to 4 (G35T10KH3B4S)	566 (1248)	1643 (64.7)	650 (25.6)	1062 (41.8)
10 kVA 400 V with 4 Battery Modules (G35T10KH4B4S)	657 (1448)	1643 (64.7)	650 (25.6)	1062 (41.8)
10 kVA 400 V (G35T10KHS ³)	290 (638)	1643 (64.7)	650 (25.6)	1062 (41.8)
15 kVA 400 V with 2 Battery Modules (G35T15KH2B2S)	433 (955)	1643 (64.7)	650 (25.6)	1062 (41.8)
15 kVA 400 V with 2 Battery Modules Expandable to 4 (G35T15KH2B4S)	474 (1045)	1643 (64.7)	650 (25.6)	1062 (41.8)
15 kVA 400 V with 3 Battery Modules Expandable to 4 (G35T15KH3B4S)	566 (1248)	1643 (64.7)	650 (25.6)	1062 (41.8)
15 kVA 400 V with 4 Battery Modules (G35T15KH4B4S)	657 (1448)	1643 (64.7)	650 (25.6)	1062 (41.8)
15 kVA 400 V (G35T15KHS ³)	290 (638)	1643 (64.7)	650 (25.6)	1062 (41.8)
20 kVA 400 V with 2 Battery Modules (G35T20KH2B2S)	433 (955)	1643 (64.7)	650 (25.6)	1062 (41.8)
20 kVA 400 V with 2 Battery Modules Expandable to 4 (G35T20KH2B4S)	474 (1045)	1643 (64.7)	650 (25.6)	1062 (41.8)

3. UPS without batteries, for use with third party batteries (external cabinet) or longlife battery modules (internal).

UPS Cabinet 3:3	Weight kg (lbs)	Height mm (in)	Width mm (in)	Depth mm (in)
20 kVA 400 V with 3 Battery Modules Expandable to 4 (G35T20KH3B4S)	566 (1248)	1643 (64.7)	650 (25.6)	1062 (41.8)
20 kVA 400 V with 4 Battery Modules (G35T20KH4B4S)	657 (1448)	1643 (64.7)	650 (25.6)	1062 (41.8)
20 kVA 400 V (G35T20KHS ⁴)	290 (290)	1643 (64.7)	650 (25.6)	1062 (41.8)
30 kVA 400 V with 3 Battery Modules Expandable to 4 (G35T30KH3B4S)	601 (1325)	1643 (64.7)	650 (25.6)	1062 (41.8)
30 kVA 400 V with 4 Battery Modules (G35T30KH4B4S)	692 (1526)	1643 (64.7)	650 (25.6)	1062 (41.8)
30 kVA 400 V (G35T30KHS ⁴)	325 (715)	1643 (64.7)	650 (25.6)	1062 (41.8)
40 kVA 400 V with 4 Battery Modules (G35T40KH4B4S)	692 (1526)	1643 (64.7)	650 (25.6)	1062 (41.8)
40 kVA 400 V (G35T40KHS ⁴)	325 (716.5)	1643 (64.7)	650 (25.6)	1062 (41.8)

3:1 UPS 400 V

UPS Cabinet 3:1	Weight kg (lbs)	Height mm (in)	Width mm (in)	Depth mm (in)
15 kVA 400V 3:1 with 2 Battery Modules (G35T15K3I2B2S)	428 (944)	1643 (64.7)	650 (25.6)	1062 (41.8)
15 kVA 400V 3:1 with 2 Battery Modules Expandable to 4 (G35T15K3I2B4S)	505 (1113)	1643 (64.7)	650 (25.6)	1062 (41.8)
15 kVA 400V 3:1 with 3 Battery Modules Expandable to 4 (G35T15K3I3B4S)	566 (1248)	1643 (64.7)	650 (25.6)	1062 (41.8)
15 kVA 400V 3:1 with 4 Battery Modules (G35T15K3I4B4S)	686 (1512)	1643 (64.7)	650 (25.6)	1062 (41.8)
15 kVA 400V 3:1 (G35T15K3IS ⁴)	290 (638)	1643 (64.7)	650 (25.6)	1062 (41.8)
20 kVA 400V 3:1 with 2 Battery Modules (G35T20K3I2B2S)	428 (944)	1643 (64.7)	650 (25.6)	1062 (41.8)
20 kVA 400V 3:1 with 2 Battery Modules Expandable to 4 (G35T20K3I2B4S)	505 (1113)	1643 (64.7)	650 (25.6)	1062 (41.8)

4. UPS without batteries, for use with third party batteries (external cabinet) or longlife battery modules (internal).

UPS Cabinet 3:1	Weight kg (lbs)	Height mm (in)	Width mm (in)	Depth mm (in)
20 kVA 400V 3:1 with 3 Battery Modules Expandable to 4 (G35T20K3I3B4S)	566 (1248)	1643 (64.7)	650 (25.6)	1062 (41.8)
20 kVA 400V 3:1 with 4 Battery Modules (G35T20K3I4B4S)	686 (1512)	1643 (64.7)	650 (25.6)	1062 (41.8)
20 kVA 400V 3:1 (G35T20K3IS ⁵)	290 (638)	1643 (64.7)	650 (25.6)	1062 (41.8)
30 kVA 400V 3:1 with 3 Battery Modules Expandable to 4 (G35T30K3I3B4S)	566 (1248)	1643 (64.7)	650 (25.6)	1062 (41.8)
30 kVA 400V 3:1 with 4 Battery Modules (G35T30K3I4B4S)	686 (1512)	1643 (64.7)	650 (25.6)	1062 (41.8)
30 kVA 400V 3:1 (G35T30K3IS ⁵)	325 (715)	1643 (64.7)	650 (25.6)	1062 (41.8)
40 kVA 400V 3:1 with 4 Battery Modules (G35T40K3I4B4S)	686 (1512)	1643 (64.7)	650 (25.6)	1062 (41.8)
40 kVA 400V 3:1 (G35T40K3IS ⁵)	325 (715)	1643 (64.7)	650 (25.6)	1062 (41.8)

Modular Battery Cabinet

Modular battery cabinet	Weight kg (lbs)	Height mm (in)	Width mm (in)	Depth mm (in)
Modular battery cabinet with 2 battery modules expandable to 6 (G35TXR2B6)	418 (919)	1643 (64.7)	650 (25.6)	1062 (41.8)
Modular battery cabinet, with MCCB, with 2 battery modules expandable to 6 (G35TBXR2B6)	418 (919)	1643 (64.7)	650 (25.6)	1062 (41.8)
Modular battery cabinet with 6 battery modules (G35TXR6B6 ⁶)	807 (1775)	1643 (64.7)	650 (25.6)	1062 (41.8)
Modular battery cabinet, with MCCB, with 6 battery modules (G35TBXR6B6 ⁶)	807 (1775)	1643 (64.7)	650 (25.6)	1062 (41.8)
Modular battery cabinet, with MCCB, with 0 battery modules expandable to 6 (G35TEFBXR6)	226 (497)	1643 (64.7)	650 (25.6)	1062 (41.8)

5. UPS without batteries, for use with third party batteries (external cabinet) or longlife battery modules (internal).

6. The total weight of the modular battery cabinet including the separate battery package.

Receiving

External Inspection

When the shipment arrives, inspect the shipping material for any signs of damage or mishandling. Check tilt and impact indicators. Do not attempt to install the system if a damage is apparent. If any damage is noted, contact Schneider Electric and file a damage claim with the shipping agency within 24 hours.

Compare the components of the shipment with the bill of lading. Report any missing items to the carrier and to Schneider Electric immediately.

Verify that labelled units match the order confirmation.

Move to Installation Site

⚠ CAUTION

RISK OF EQUIPMENT DAMAGE

Ensure that the floor is level. The cabinet cannot be installed on a floor that is not level.

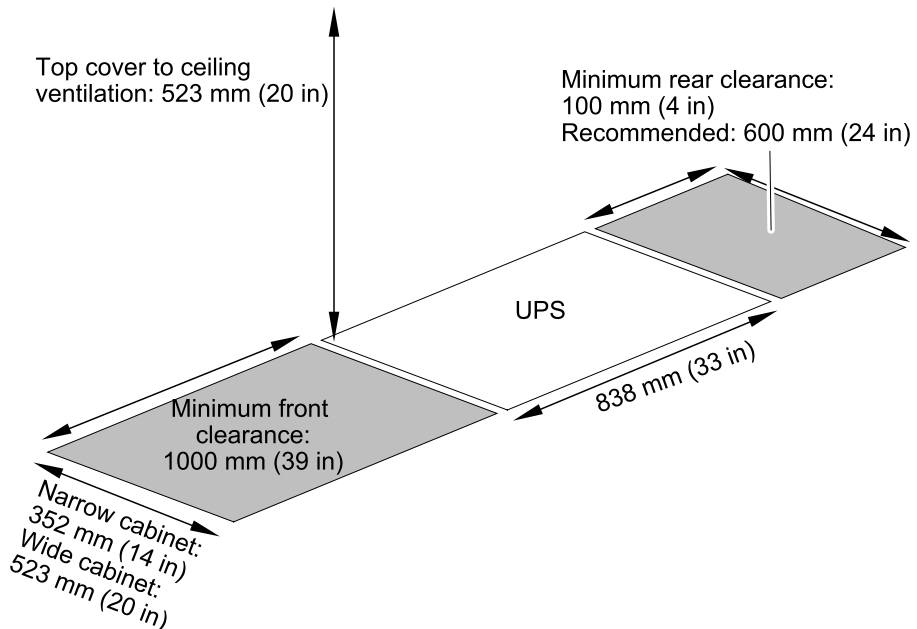
Failure to follow these instructions can result in injury or equipment damage.

NOTE: Use a pallet jack or a forklift for components weighing over 54 kg (120 lbs).

NOTE: After the unit has been removed from the pallet, move it only by rolling it on the casters.

Clearance

NOTE: Clearance dimensions are published for airflow and service access only. Consult with the local safety codes and standards for additional requirements in your local area.



Unpacking

⚠ CAUTION

TIP HAZARD

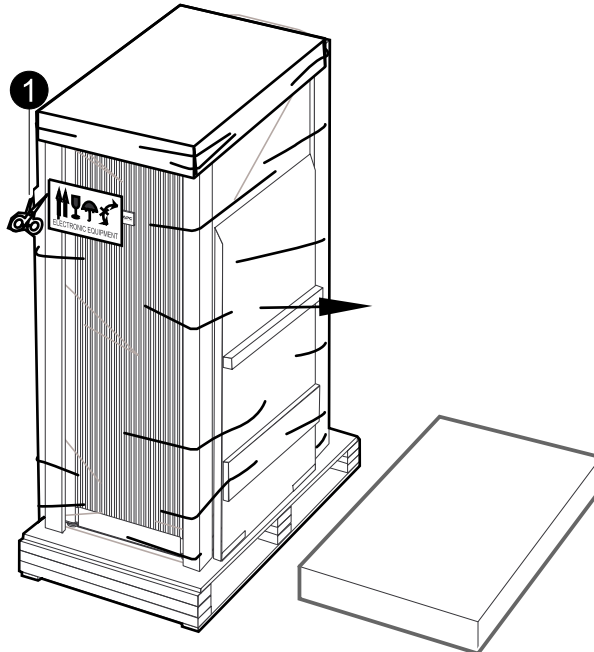
This equipment is easily tipped. Use extreme caution when unpacking and moving the equipment to its final location.

Failure to follow these instructions can result in injury or equipment damage.

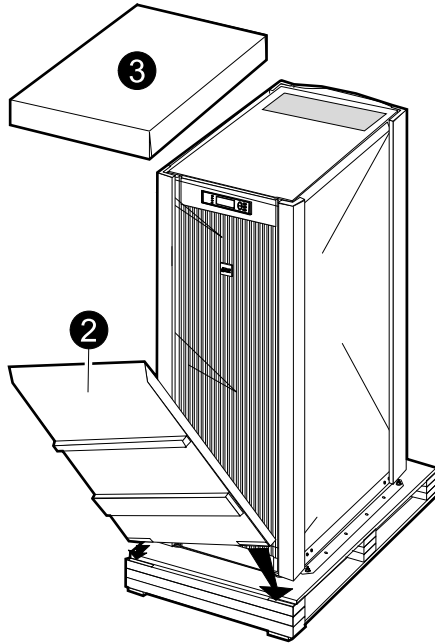
NOTE: Two persons are needed to roll the cabinet from the pallet. Save four bolts for attaching the stabilizing brackets to the 352 mm (14 in) cabinet. See *Stabilizing Brackets*, page 27.

Land Packaging

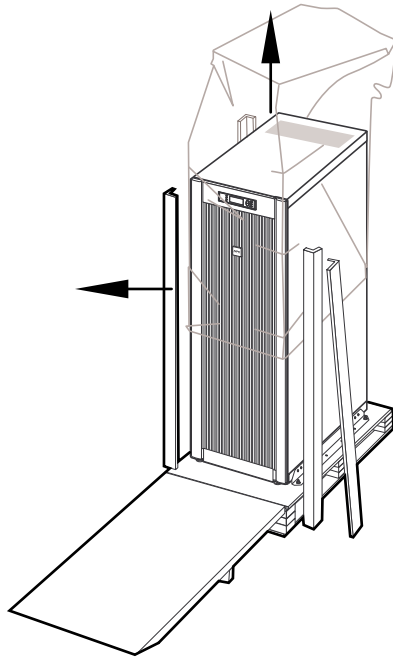
1. Cut carefully along the edges to remove the plastic and to free the ramp.



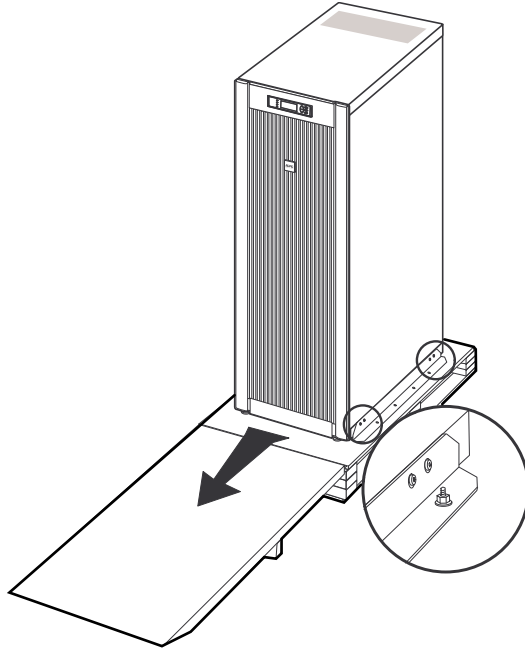
2. Place the ramp by aligning the velcro strips on the ramp with the velcro strips on the front edge of the pallet.
3. Remove the cardboard cover.



4. Remove the corner protection and the plastic bag.

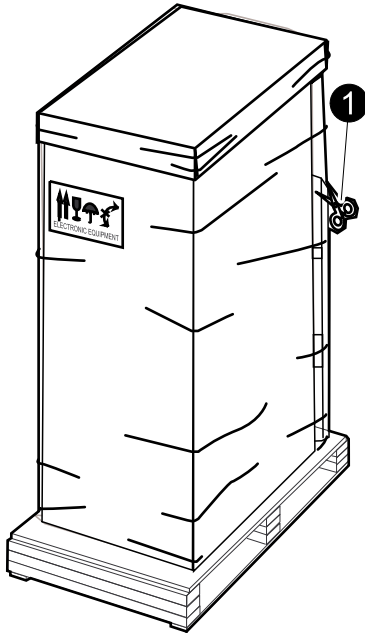


5. Remove the bolts from the brackets attaching the cabinet to the pallet and save the brackets for floor anchoring, if required.
6. Roll the cabinet off the pallet.

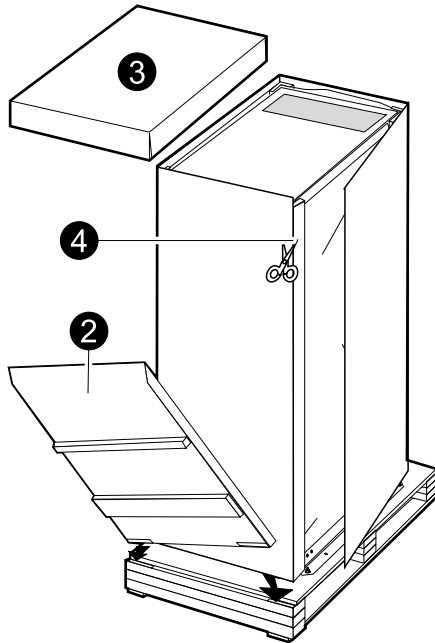


Sea Packaging

1. Cut carefully along the edges to remove the plastic and to free the ramp.

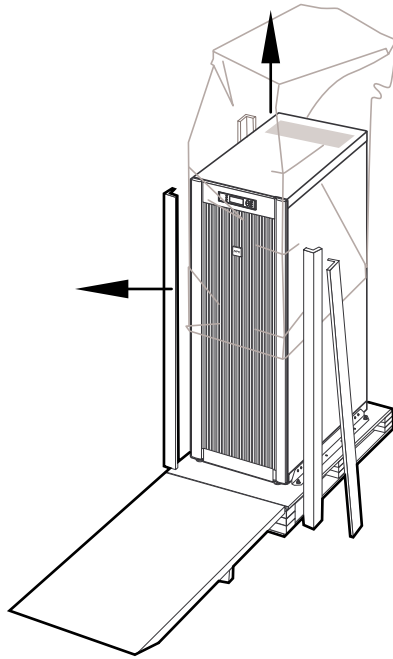


2. Place the ramp by aligning the velcro strips on the ramp with the velcro strips on the front edge of the pallet.

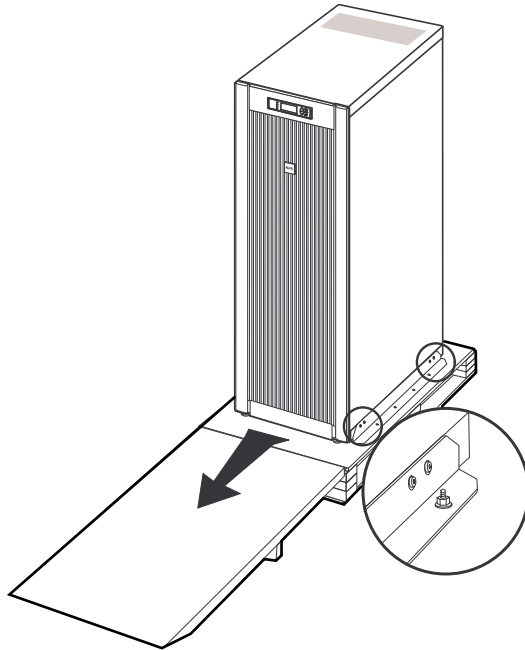


3. Remove the cardboard top cover.
4. Cut along the edges of the cardboard box and remove it.

5. Remove the corner protection and the plastic bag.



6. Remove the bolts from the brackets attaching the cabinet to the pallet and save the brackets for floor anchoring, if required.
7. Roll the cabinet off the pallet.



Stabilizing Brackets

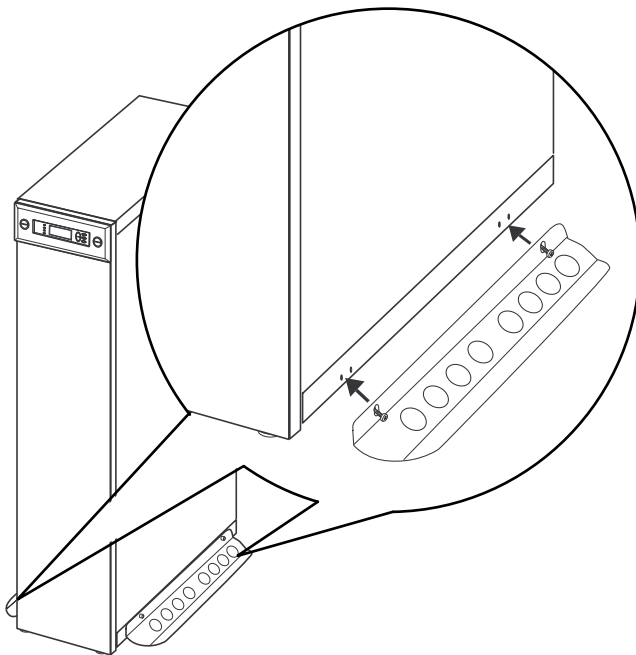
⚠ CAUTION

TIP HAZARD

- This equipment is easily tipped. Use extreme caution when unpacking and moving the equipment to its final location.
- After unpacking always install the stabilizing bracket (shipped with the UPS) to the 352 mm (14 in) cabinet, unless more cabinets are placed in a row.

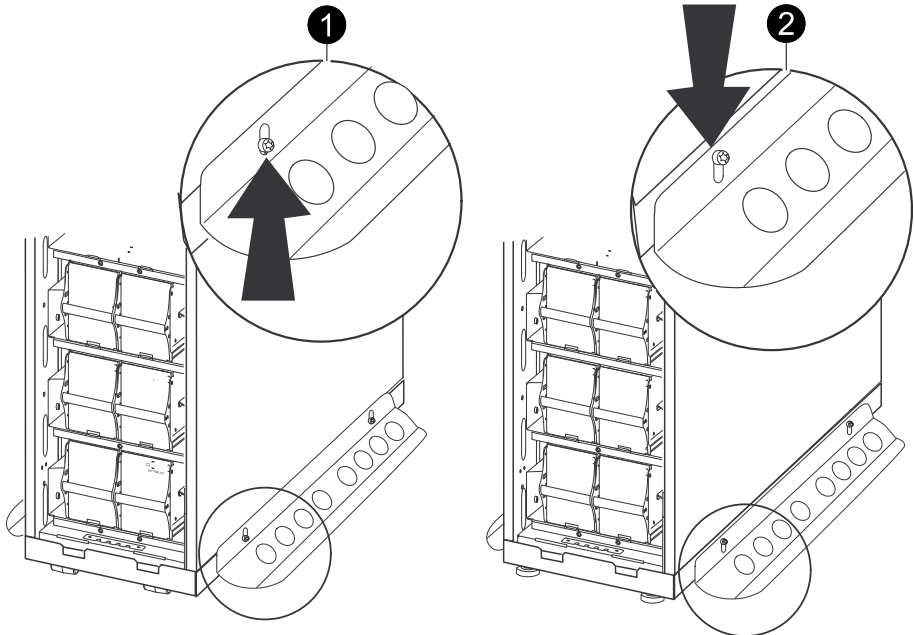
Failure to follow these instructions can result in injury or equipment damage.

Attach Stabilizing Brackets



1. Fasten the stabilizing brackets to the UPS with the bolts saved from the pallet.

Move the UPS (with Stabilizing Brackets Attached)



1. Loosen the bolts, push the brackets upwards and tighten the bolts. The UPS can now be moved.
2. When the UPS is at its final position, loosen the bolts, push the brackets downwards and tighten the bolts.

Documentation Storage

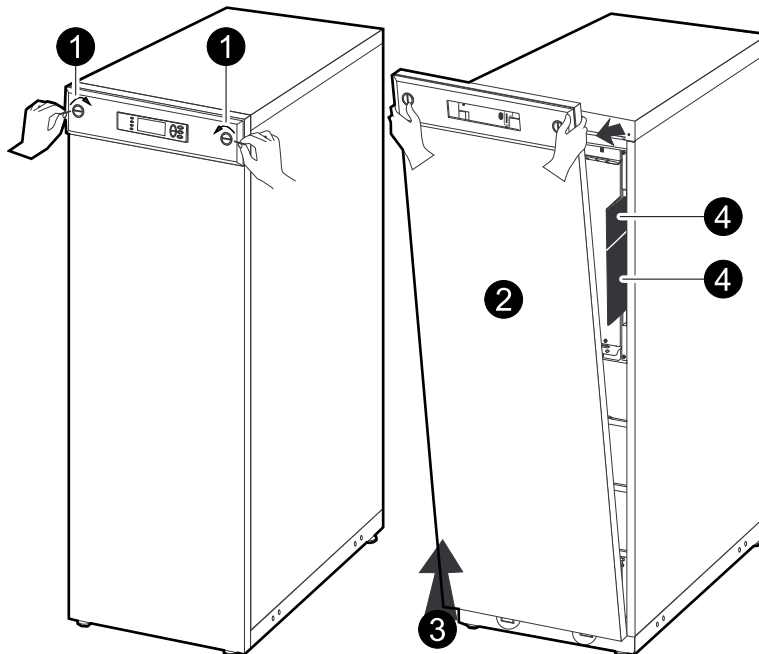
⚠ DANGER

HAZARD OF ELECTRICAL SHOCK, EXPLOSION, OR ARC FLASH

Only qualified personnel is allowed to remove the front panel and perform operation and maintenance behind it.

Failure to follow these instructions will result in death or serious injury.

1. Remove the front panel by turning the screws towards the display to the unlocked position
2. Pull the upper part of the front panel free of the UPS.
3. Lift the front panel free of the two slots at the bottom of the cabinet.



4. Take out the documentation.

Schneider Electric
35 rue Joseph Monier
92500 Rueil Malmaison
France

+ 33 (0) 1 41 29 70 00

www.schneider-electric.com

As standards, specifications, and design change from time to time, please ask for confirmation of the information given in this publication.

© 2013 – 2016 Schneider Electric. All rights reserved.

990-1961E-001